



# Garage Door and Entrance Gate Operators

NEW: Hinged gate operator VersaMatic / VersaMatic Akku Solar







## CONTENT

4	Good reasons to try Hörmann
8	Garage door operators
12	Garage door operator SupraMatic
14	Garage door operator ProMatic
18	Entrance gate operators
22	Hinged gate operator RotaMatic / RotaMatic Akku
24	Hinged gate operator VersaMatic / VersaMatic Akku Solar
26	Underground hinged gate operator DTU 250
27	Hinged gate operator DTH 700
28	Sliding gate operator LineaMatic
30	Sliding gate operator STA 400
31	Accessories
52	Dimensions and fitting data
62	Hörmann product range

Some of the doors shown are equipped with optional extras and do not always correspond to our standard models.

The surface finishes and colours shown are subject to the limitations of the printing process and cannot be regarded as binding.

All rights reserved. No part may be reproduced without our prior permission. Subject to changes.

◀ Sectional garage door, L-ribbed in Anthracite grey RAL 7016 with garage door operator SupraMatic and sliding door operator LineaMatic

“A good reputation must be earned.”

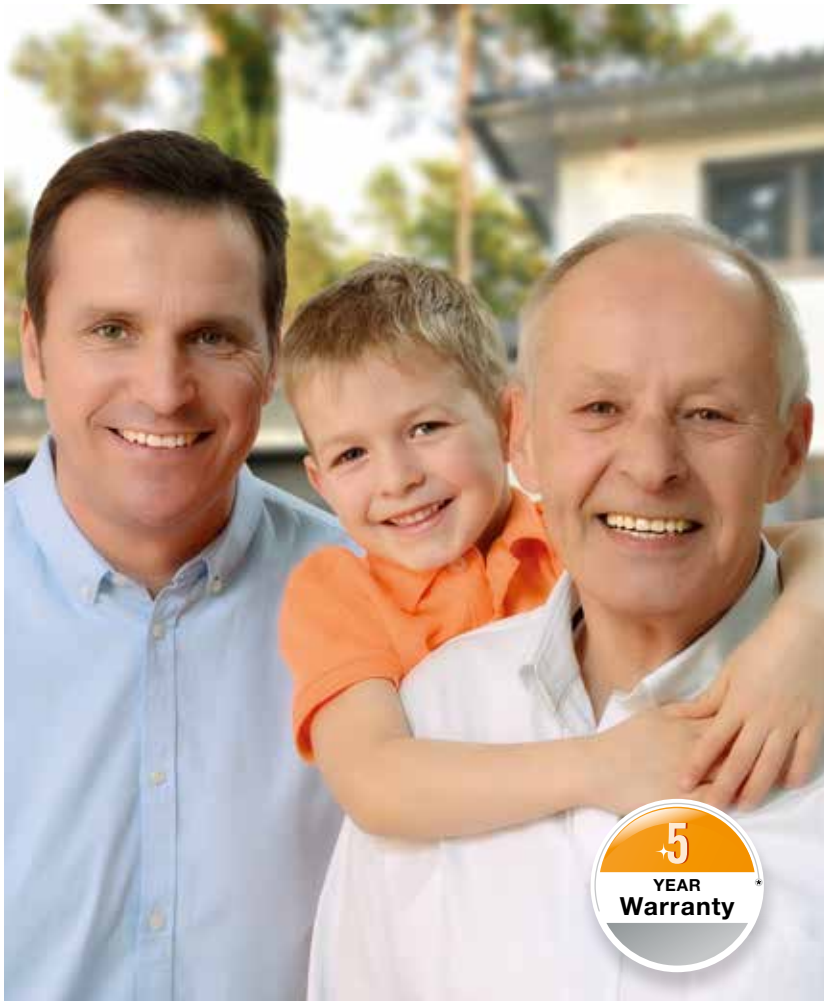
August Hörmann

In line with the founder's philosophy, the Hörmann brand today is a true promise of quality. The family-owned company has over 80 years of experience in door and operator construction and, with sales of over 20 million doors, is no. 1 in Europe. This makes a Hörmann operator a reassuring purchase.



## 1 Brand quality “Made in Germany”

All doors and operator components are developed and manufactured by Hörmann, are perfectly matched to each other and tested and certified by independent, recognised institutes to ensure your safety. They are manufactured in Germany according to the DIN ISO 9001 quality management system and meet the requirements of European standard 13241-1. Furthermore, our highly qualified employees work intensively on new products, continual further developments and improvements to details. The results are patents and one-of-a-kind products you can depend on.



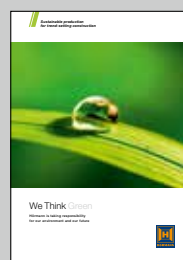
## 2 Door operators for generations

Endurance tests under real-life conditions ensure mature series products with Hörmann quality. Thanks to this, as well as excellent technical solutions and uncompromising quality assurance, you receive a 5-year warranty on all Hörmann garage door and entrance gate operators.\*

\* The complete warranty conditions can be found at: [www.hoermann.com](http://www.hoermann.com)

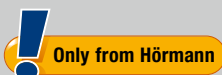
## 3 An eye on the future

Hörmann is setting a good example. This is why the company has obtained **over 70 %** of its required energy from green sources and will continue to increase this percentage. At the same time, many tonnes of CO<sub>2</sub> are saved each year thanks to the introduction of an intelligent and certified energy management system. And last but not least, Hörmann offers products for sustainable construction. Find out more about Hörmann's environmental activities in the "We Think Green" brochure.





## 4 BiSecur radio system with certified security



The bi-directional radio system BiSecur is based on future-oriented technology for the convenient and secure operation of garage and entrance gate operators, door operators, lights and more. This extremely secure BiSecur encryption protocol, developed by Hörmann, with a stable, interference-free range makes sure that no-one can copy your radio signal. It was tested and certified by security experts at Bochum University.



Watch the video at:  
[www.hoermann.com/videos](http://www.hoermann.com/videos)



## 5 Perfectly aligned and 100 % compatible

**All BiSecur operators, receivers and control elements are 100 % compatible.** Using a hand transmitter or radio code switch, for example, you can conveniently operate your garage door as well as entrance gate equipped with a Hörmann operator, your door operators or other devices with BiSecur receivers.

With our app\* and Hörmann BiSecur Gateway, you can operate your Hörmann garage door or entrance gate operators, Hörmann entrance door\*\* or the internal door operator PortaMatic as well as other devices **using your smartphone or tablet.**

\* For smartphones or tablets with iOS or Android operating systems.

\*\* To use this function it is required that your Hörmann entrance door ThermoCarbon / ThermoSafe is equipped with the automatic lock S5 / S7 Smart.



## 6 Convenient querying of the door position

**You no longer have to go out in all kinds of weather** to check if your gate is closed. At the press of a button, the colour of the LED on the HS 5 BS hand transmitter indicates the position of the door. If required, another push of a button\*\*\* closes the door. It is the most comfortable and secure way to control your door.

\*\*\* An additional photocell is required for operation without visual contact to the door.

## 7 Award-winning design

In addition to a black or white design, the exclusive BiSecur hand transmitters are characterised by an elegant shape that fits easily in the palm of your hand.

Hörmann's BiSecur hand transmitters with an optional high-gloss surface in a piano lacquer look have received the reddot design award for their exclusive design.



Watch the video at:  
[www.hoermann.com/videos](http://www.hoermann.com/videos)



Figure above: hand transmitter HS 5 BS with hand transmitter station (optional).

## Benefit from numerous advantages

Hörmann operators are distinguished by a successful combination of quality, security and intelligent technology: the boom-guided operator patent guarantees stable, quiet door travel; the soft start and soft stop function increase the service life of your door. Proven security functions give you a feeling of safety: a locking mechanism that engages when the door is closed protects the door from being forced open; on encountering an obstruction, the automatic safety cut-out immediately stops the door. Useful additional functions round off the comfort: ventilate your garage with a second opening height, for example, without the need to open the entire door. For garages without a power connection, use the powerful ProMatic battery with optional solar panel.









# 1 Safe



Burglars have a tough time when it comes to Hörmann automatic garage doors: when the garage door is closed, the **anti-lift kit** automatically engages in the guide rail stop. The door locks immediately and is secured against forced opening. This lock is purely mechanical and, in contrast to operators from other manufacturers, effective even in the event of a power failure.



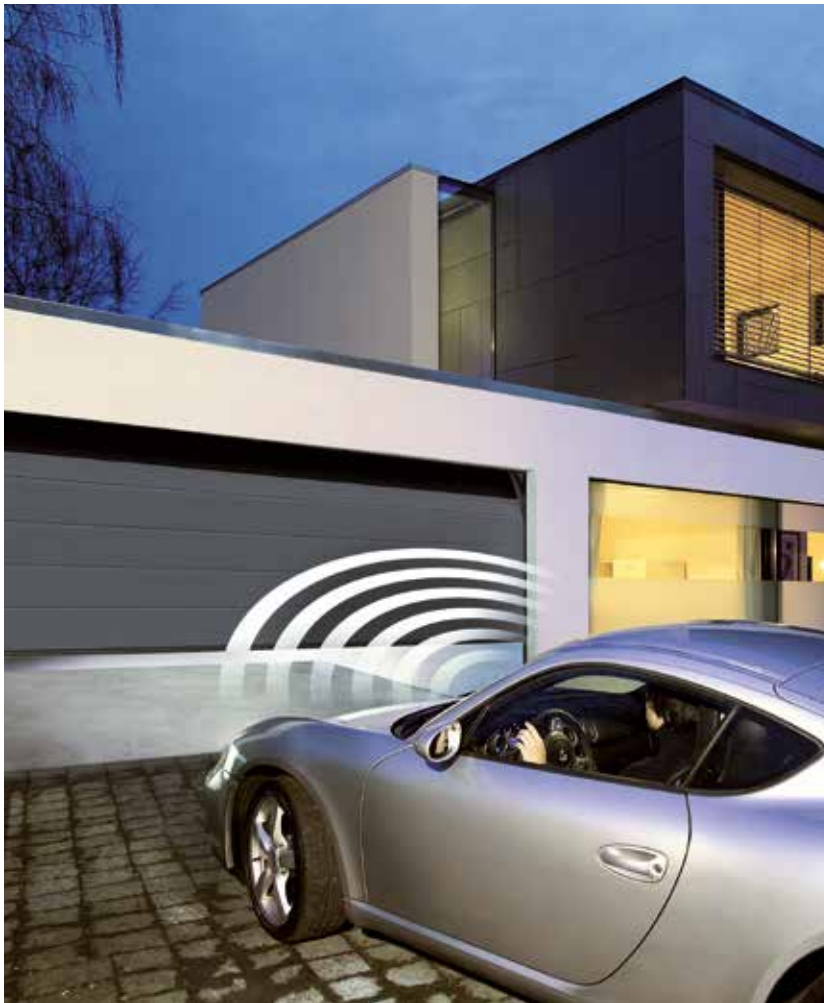
Watch the video at:  
[www.hoermann.com/videos](http://www.hoermann.com/videos)



# 2 Reliable

The reliable automatic safety cut-out securely stops the door if it encounters an obstacle. For even more protection and safety, we recommend fitting a non-contact photocell. This is a standard feature in the Hörmann SupraMatic P operator.

Your door opens and closes quietly and smoothly with the soft start and soft stop. The start and stop phases can be individually set for your garage door. This protects your garage door, allowing you to enjoy it for years to come.



### 3 Super-fast

You can enter faster and more safely with the SupraMatic operator when combined with a Hörmann sectional garage door. **An up to 50 % faster opening speed** means more safety and less stress on high-traffic garage entrances. Compare the opening speed of the SupraMatic operator with conventional operators.



Watch the video at:  
[www.hoermann.com/videos](http://www.hoermann.com/videos)



### 4 Certified

Hörmann garage door operators are perfectly matched to the sectional garage doors and have been tested and certified in accordance with the TTZ directive "Break-in resistance for garage doors" **by independent test institutes.**

# SupraMatic – the supra-fast operator with many additional functions



With the combination of speed and convenience, your garage door opens faster, allowing quicker access from the street into your garage.

The SupraMatic has many additional functions, such as being able to switch the operator lighting on and off with your hand transmitter, and the convenient option of an additional opening height to ventilate your garage.

An operator cover made of brushed aluminium also provides the SupraMatic with a very elegant appearance.



Garage door operators	SupraMatic E	SupraMatic P
Special feature		For timber doors and doors with wicket doors
Equipment		Photocell
Cycles per day / hour	25 / 10	50 / 10
Pull and push force	650 N	750 N
Peak force	800 N	1000 N
Max. opening speed	22 cm/s	22 cm/s
Max. door width	5500 mm	6000 mm
Max. door surface	13.75 m <sup>2</sup>	15 m <sup>2</sup>



As standard with the 5-button hand transmitter HS 5 BS and 4-button hand transmitter HSE 4 BS with black textured surface.



### 1 Convenient querying of the door position

You can use the standard HS 5 BS hand transmitter at any time to check that your garage door is closed.



### 2 Faster door opening

An up to 50 % faster opening speed gets you from the street into your garage sooner.



### 3 Additional opening height

With the individually adjustable opening height, you can ventilate your garage without completely opening the door.



### 4 Halogen lighting can be switched on / off separately

The operator lighting can be switched on and off separately via your hand transmitter or the IT 3b optional internal push-button unit. Optionally available as an LED reflector lamp.



### 5 Easy-to-use programming

All of the operator functions can be set very easily by entering a two-digit number.



### 6 High security

The standard photocell EL 101 included with SupraMatic P immediately detects persons and objects. Families with children especially appreciate this level of safety.

## ProMatic – the good-value starter model as an introduction to Hörmann’s premium quality



ProMatic garage door operators feature the same proven Hörmann technology as all Hörmann premium operators.

This guarantees reliable function – at an attractive price.

Even in a garage without a mains connection, you can enjoy the comfort and convenience of an operator. The ProMatic Akku makes it possible. Easy to transport, it can be recharged in a matter of hours, conveniently via the optional solar module.



Garage door operators	ProMatic	ProMatic Akku
Special feature		For garages without power connection
Cycles per day / hour	12 / 5	5 / 2
Pull and push force	600 N	350 N
Peak force	750 N	400 N
Max. opening speed	14 cm/s	13 cm/s
Max. door width	5000 mm	3000 mm
Max. door surface	11.25 m <sup>2</sup>	8 m <sup>2</sup>



**1** Convenient querying of the door position

You can use the optional HS 5 BS hand transmitter at any time to check if your garage door is closed (not for ProMatic Akku).

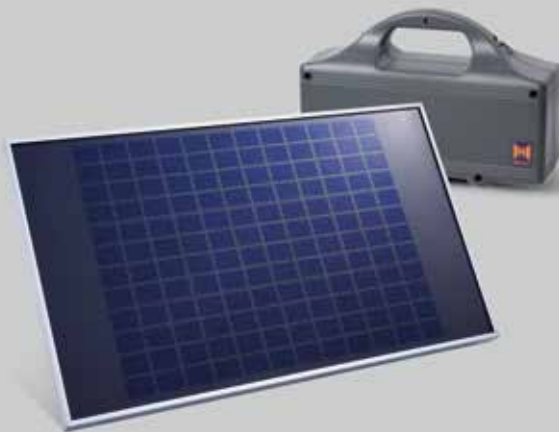


**2** Additional opening height

With the individually adjustable second opening height you can ventilate your garage without opening the door completely (not for ProMatic Akku).



As standard with two, 4-button hand transmitters HSE 4 BS in black textured surface with plastic caps.



### ProMatic Akku

If your garage does not have a power connection, the ProMatic Akku is the perfect solution for you. Depending on the frequency of daily door cycles you can operate your operator up to several weeks. Once the battery is empty, you can recharge it via a standard power outlet, for example over night. The optional solar module is particularly convenient. It charges the battery automatically. For further information, see page 33.

**As standard**  
for all garage  
door operators



**Only from Hörmann**

**Automatic door locking in the operator boom**

When the garage door is closed, the anti-lift kit **1** automatically engages in the guide rail stop. The door locks immediately and is secured against forced opening. This process is purely mechanical and thus also functions without a power supply!



Watch the video at:  
[www.hoermann.com/videos](http://www.hoermann.com/videos)



**Exceptionally flat boom**

An exceptionally flat boom of only 30 mm flat, **2** means that operators are easy to fit to any commercially available garage door and are therefore also ideal for retrofitting.

**Emergency release from inside**

During power failures, you can open the door conveniently from inside **3**.

**Universal fitting bracket**

The universal fitting bracket **4** fits all commercially available up-and-over and sectional doors.

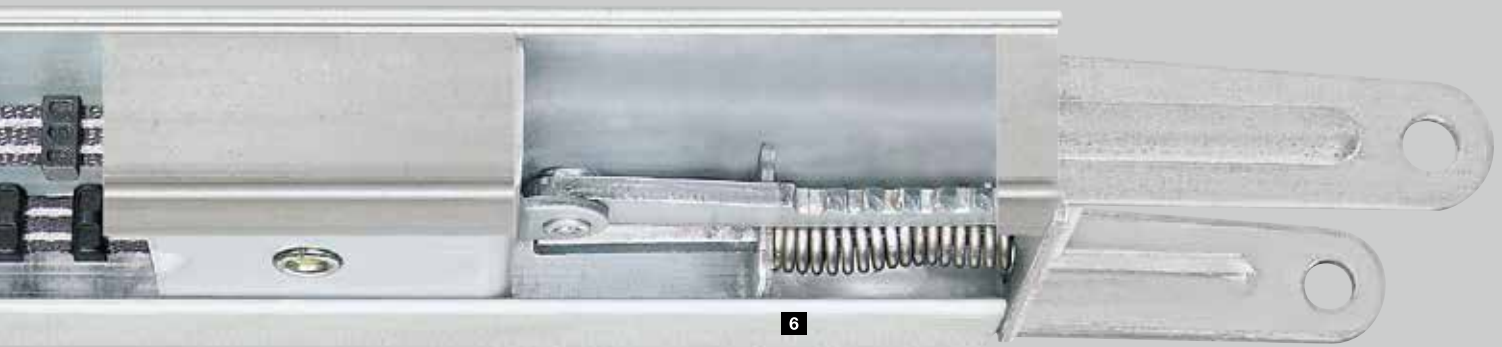
**Maintenance-free toothed belt**

Reinforced with aramid fibres, the Kevlar toothed belt **5** is particularly tear-resistant and quiet-running. It does not require grease or lubricants, providing an important advantage over chain or spindle operators.

**Automatic belt tension**

The strong spring mechanism **6** tensions the toothed belt automatically, thus ensuring uniform, smooth running.





### Compact unit

Hörmann's doors, operators and booms form a compact, permanently connected unit. Additional control units and exposed, movable connecting leads are not necessary.

### Simple installation

Hörmann operators can be installed easily and quickly. Using the adjustable suspensions, you can fix the guide rails in a variety of ways: either to the ceiling or directly to the reinforced connection profile of the Hörmann sectional door (up to 3000 mm door width). An additional advantage: just one suspension is sufficient, even for long booms.

### Centre installation

Centre installation of the operator rails on the door leaf results in uniform pull forces. No canting, no wear, which is frequently the case with e.g. operators installed on one side.



### Easy fitting

For Hörmann sectional doors up to 3000 mm door width, the operator boom can simply be fitted on the connection profile of the door.



### Special track application for hinged garage doors

Thanks to simple assembly of the optional track application, retrofitting is also very easy.

## More comfort, more quality, more security

Only a remote-controlled Hörmann operator distinguished by proven technology makes your entrance gate truly convenient to operate. Thanks to the soft start and soft stop function, your door always runs evenly and smoothly. The obstacle detection function protects people and objects and gives you a feeling of safety. Useful additional functions round off your comfort, e.g. the automatic timer function that closes your door after a pre-defined period\*, or the option to open the door only partially for people to pass through. The operators RotaMatic and VersaMatic are also available with a useful battery and optional solar panel.

\* An optional photocell is required to use this function.







# 1 Safe

**Thanks to the automatic safety cut-out,** Hörmann entrance gate operators work reliably during all opening and closing phases. The gate stops immediately if it encounters an obstacle. Non-contact photocells detect persons or objects, providing additional safety. These can be easily and elegantly integrated into the safety key switch posts (see page 45) and placed near the entrance to monitor the area of travel of your hinged or sliding gate.

# 2 Reliable

Hörmann entrance gate operators open quietly and reliably thanks to the soft start and soft stop function. The gate opens without a jolt and gently brakes before fully closing. This protects the gate and operator and does not disturb your neighbours.



### 3 Robust

High-quality entrance gate operators from Hörmann are decidedly robust, ensuring that they remain in good mechanical condition over the long run. Weather-resistant and lasting material ensures long-term function. Our RotaMatic version also comes with integral heating for use in especially cold regions.

### 4 Certified

Hörmann entrance gate operators work safely during all opening and closing phases. The operating forces for common gate sizes **and fitting situations have been tested and certified by independent test institutes in accordance with DIN EN 13241-1.**

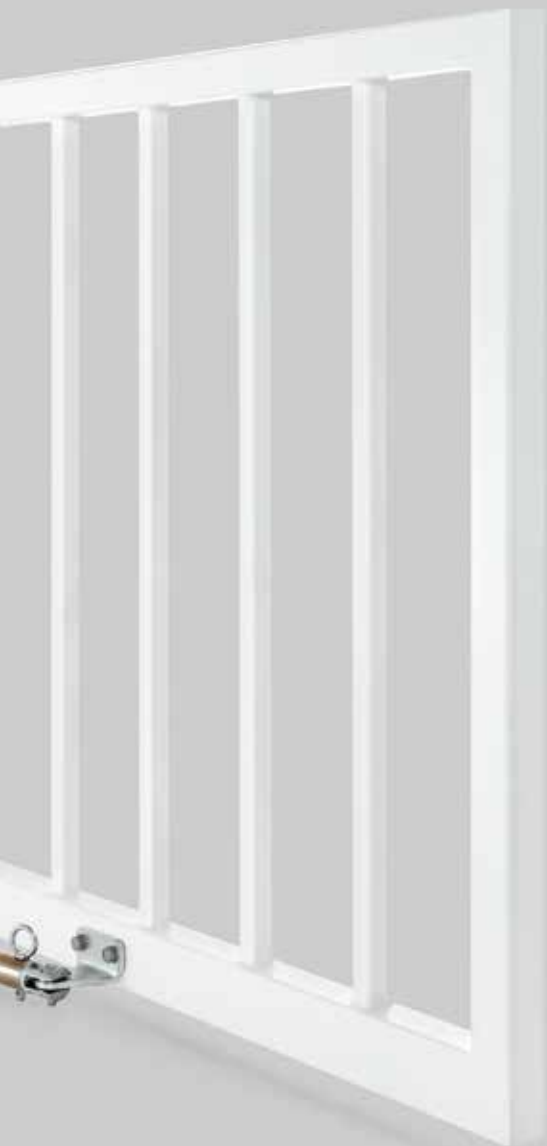
# RotaMatic – the slim operator with an elegant appearance



Thanks to its modern, slimline design, Hörmann's RotaMatic hinged gate operator is the perfect partner for your beautiful hinged gate. Just like the design, the functional and safety features are also exemplary. You can enjoy the convenience of an operator even if there is no direct connection to the mains supply. The RotaMatic Akku makes it possible.



Hinged gate operators	RotaMatic	RotaMatic P	RotaMatic PL	RotaMatic Akku
Special feature				With 868 MHz fixed code (without door position query)
Cycles per day / hour	20 / 5	40 / 10	40 / 10	5 / 2
Max. door leaf width	2500 mm	2500 mm	4000 mm	2500 mm
Max. door leaf height	2000 mm	2000 mm	2000 mm	2000 mm
Max. weight	220 kg	400 kg	400 kg	120 kg



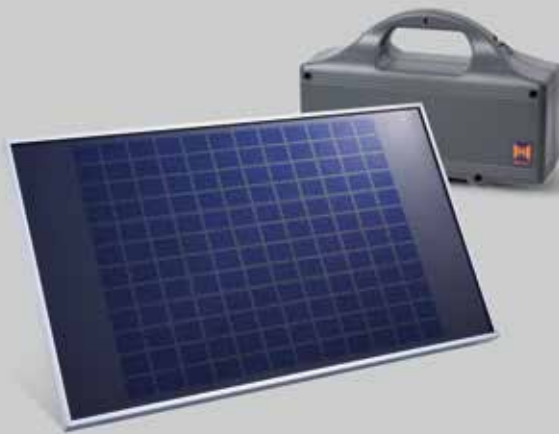
### 1 Convenient querying of the door position

You can use the standard hand transmitter HS 5 BS at any time to check if your entrance gate is closed (not for RotaMatic Akku).



### 2 Partial opening

With double-leaf doors, only one door leaf can be opened for people to pass through.



Standard hand transmitter HSE 4 BS textured surface black with plastic caps



Standard hand transmitter HS 5 BS black textured surface

## RotaMatic Akku

If there is no power outlet near your entrance gate, the powerful RotaMatic Akku is the perfect solution for you. This battery is securely stored in a lockable control cabinet; it is easy to transport and can be recharged in a matter of hours, for example over night. For maximum comfort we recommend the optional solar module: It charges the battery automatically. For further information, please see page 33.

# VersaMatic – for special fitting situations

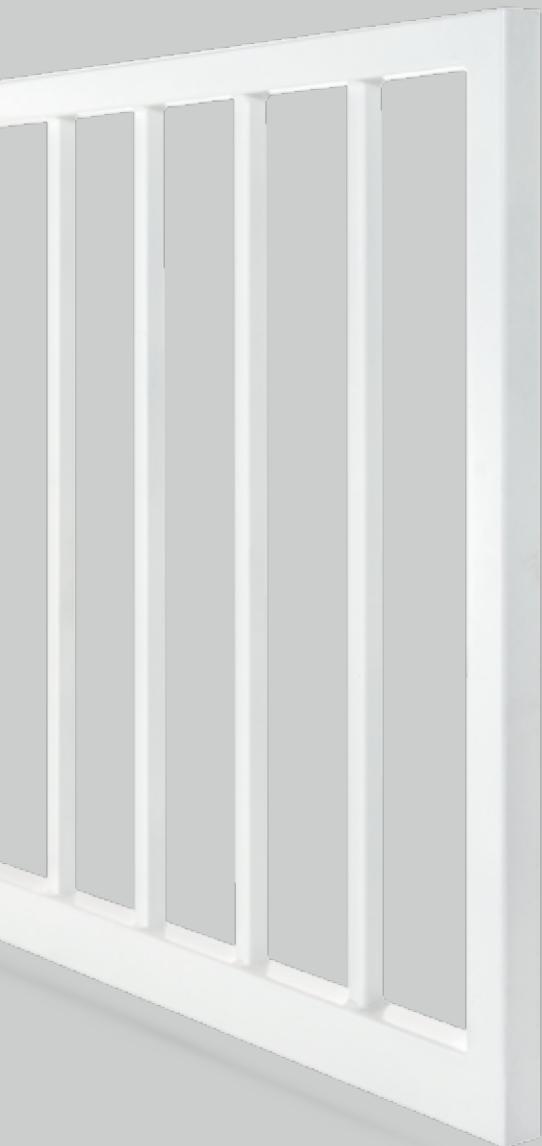


The hinged gate operator VersaMatic with integrated controls is the perfect solution even for unusual fitting situations. It is suitable for fitting on very low door pillars, for example. In addition, the fitting position is variable and can be optimally adjusted to each situation. Furthermore, no separate controls have to be installed – this saves time and space. The VersaMatic also features proven technology: its speed, for example, is individually adjustable; this way, it achieves smooth door travel for all door sizes.



Hinged gate operators	VersaMatic ■ NEW	VersaMatic P ■ NEW	VersaMatic Akku Solar ■ NEW starting autumn 2016
Cycles per day / hour	20 / 5	40 / 10	5 / 2
Max. door leaf width	2000 mm	3000 mm	2000 mm
Max. door leaf height	2000 mm	2000 mm	2000 mm
Max. weight	200 kg	300 kg	120 kg





### 1 Individually adjustable door travel speed

The speed and the soft start and soft stop functions can be individually adjusted. This ensures smooth door travel even with larger doors. In addition, warping of the door leaf during starting and stopping is prevented – all of this positively affects the service life of your door.



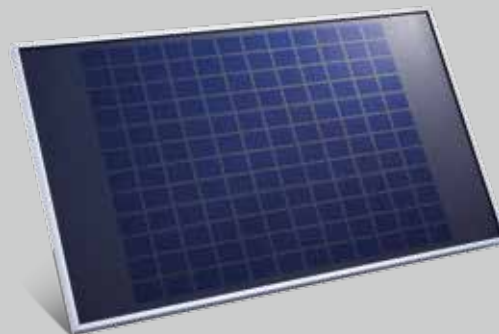
### 2 Convenient querying of the door position

You can use the standard hand transmitter HS 5 BS at any time to check if your entrance gate is closed.



### 3 Partial opening

With double-leaf doors, only one door leaf can be opened for people to pass through.



Standard hand transmitter  
HS 5 BS black textured surface

## VersaMatic Akku Solar

The possibilities to supply the VersaMatic with power are just as versatile as the operator itself. If you don't have a power connection near your door, you can use the standalone VersaMatic Akku Solar. This powerful battery is securely stored in a separate housing. It is charged using the standard solar module. For further information, see page 33.

## DTU 250 – an almost invisible operator for attractive gates

The underground hinged gate operator DTU 250\* is an almost invisible and space saving solution for use in private areas and is therefore a perfect fit for elegant gates.



Underground hinged gate operator	DTU 250
Cycles per day / hour	40 / 10
Max. door leaf width	2500 mm
Max. door leaf height	2500 mm
Max. weight	500 kg

\* A radio unit must be ordered separately for this operator. Technical clarification is also required. Please contact your Hörmann dealer.

# DTH 700 – a particularly robust and powerful operator

Hörmann's DTH 700\* operator is especially robust and powerful.\*. For use in private and commercial applications.



Hinged gate operator	DTH 700
Cycles per day / hour	40 / 10
Max. door leaf width	7000 mm
Max. door leaf height	2500 mm
Max. weight	1000 kg

\* A radio unit must be ordered separately for this operator. Technical clarification is also required. Please contact your Hörmann dealer.

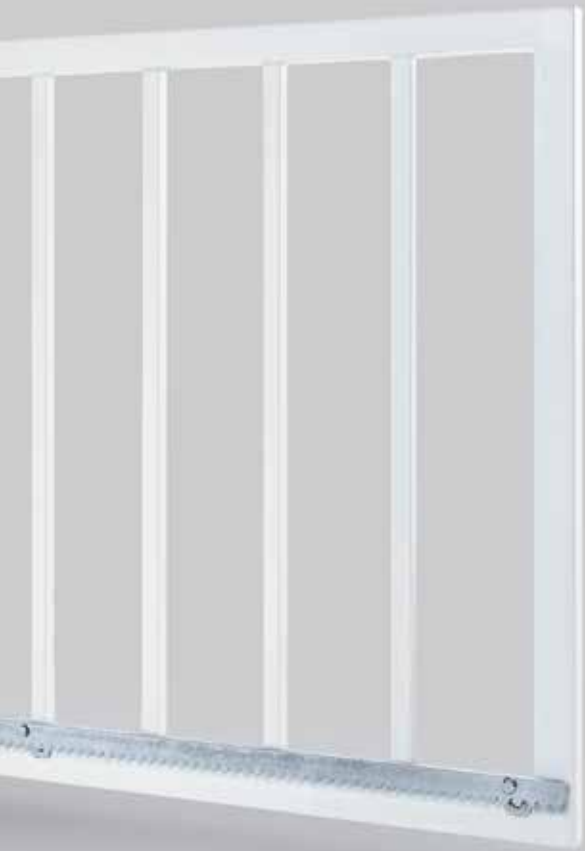
# LineaMatic – a compact and reliable operator



Highlights of the sliding gate operator LineaMatic include its compact, height-adjustable housing made of zinc die-cast and glass-fibre reinforced plastic, as well as its reliable operator electronics.



Sliding door operators	LineaMatic	LineaMatic P	LineaMatic H
Special feature			no radio
Cycles per day / hour	20 / 5	40 / 10	40 / 10
Max. door leaf width	6000 mm	8000 mm	10000 mm
Max. door leaf height	2000 mm	2000 mm	3000 mm
Max. weight	300 kg	500 kg	800 kg
Max. self-supporting weight	250 kg	400 kg	600 kg



### 1 Convenient querying of the door position

You can use the standard hand transmitter HS 5 BS at any time to check if your entrance gate is closed (not for LineaMatic H).



### 2 Partial opening

With double-leaf doors, only one door leaf can be opened for people to pass through.



Standard hand transmitter  
HS 5 BS black textured surface

## STA 400 – for large and heavy gates

The sliding gate operator STA 400 is specifically designed for large gates. The matching control B 460 FU ensures precise door travel and smooth stopping.



Sliding door operator	STA 400
Special feature	no radio
Cycles per day / hour	100 / 20
Max. door leaf width	17000 mm
Max. door leaf height	3000 mm
Max. weight	2500 kg
Max. self-supporting weight	1800 kg

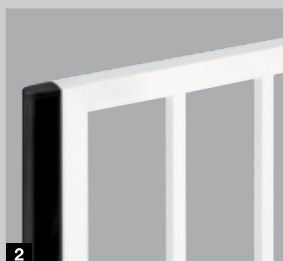
## For increased security

In many cases it makes sense to additionally increase the security of your entrance gate. With sound-absorbing seals you can reduce the risk of damage or injury; warning lights provide visual warning of door movements. Hörmann offers the perfect solution for all hinged or sliding gates.



### Sound-absorbing seal

A sound-absorbing seal reduces the forces that arise during a collision with vehicles or people and thus also reduces damage or injuries. It is sold separately for hinged gates **1** or sliding gates **2**. The operating forces for the operators RotaMatic, VersaMatic and LineaMatic with a sound-absorbing seal have been tested and certified for many door sizes and fitting situations by a recognised test institute.



### **3** Electric lock

Hinged gates are subjected to enormous forces under high wind loads. An additional electric lock secures them from being blown open.



### **4** Warning light

A warning light on your entrance gate provides you with extra security, day and night.





## For increased independence

Even without a power outlet you do not have to forgo the convenience of a garage door or entrance gate operator: many Hörmann operators are available as an independent battery version. Depending on the frequency of daily door cycles, you can control the operator with the battery up to several weeks. Once the battery is depleted, you can recharge it via a power outlet, for instance over night. Or do you prefer a battery that recharges automatically? In this case, the optionally available solar module is the right solution for you.



### 1 Easy recharging

A practical carrying handle and its light weight make it easy to transport the battery for charging. The solar module makes recharging even more convenient – as standard with the VersaMatic Akku Solar\*.



### 2 Solar module (optional)

A practical extension during battery operation takes over recharging. Delivery includes fitting material, 10 m connecting lead and charge controller, dimensions: 330 × 580 mm.

	ProMatic Akku	RotaMatic Akku	VersaMatic Akku Solar including standard solar module
Operation period**	circa 40 days	circa 30 days	circa 30 days
Charging time***	circa 5 – 10 hours	circa 5 – 10 hours	circa 5 – 10 hours
Weight (in kg)	8.8	8.8	8.8
Dimensions (in mm)	330 × 220 × 115	320 × 220 × 115	320 × 220 × 115

\* With VersaMatic, the battery is non-removable and charging via a socket is not possible

\*\* At an average 4 gate cycles per day and an ambient temperature of 20 °C

\*\*\* Depending on the charge level

## For even more comfort and security

Hörmann operator accessories are characterised by innovative technology, exclusive design und 100 % compatibility – the ideal combination for everyone who values perfection. You want maximum comfort?

We have the right control element for all your wishes and needs: elegant hand transmitters, stationary radio buttons or beautiful radio internal push buttons – choose your favourite.

With light and security accessories you can illuminate your entrance area and make garage door and entrance gate operation even more secure.





▼ Hand transmitter HSE 2 BS

Choose your favourite hand transmitter from 7 different colours and 3 decors





▲ **Finger-scan FFL 12 BS**

Simply use your finger print to open the garage.

◀ **Hand transmitter HSD 2-C BS**

The best way to control your door operators. Hörmann's elegant hand transmitters combine function and design.





▲ Radio code switch FCT 3 BS

Open your garage simply by entering a personal code. No hand transmitter required!

▼ **Smart accessories for a smart home**

The elegant hand transmitters and radio buttons also control Hörmann internal door operator PortaMatic and radio electric socket with various household appliances, lamps etc.



◀ **Hand transmitter HSZ 2 BS**

The alternative to homelink systems: integrated in an inconspicuous spot in your car. Inserted into the cigarette lighter of your car, the hand transmitter HSZ is easily accessible and usable.



**Hand transmitter HS 5 BS**

4 button functions plus query button,

**1** high-gloss surface black or white

**2** textured surface black



**Hand transmitter HS 4 BS**

4 button functions,

**3** textured surface black ■ **NEW**

**Hand transmitter HS 1 BS**

1 button function,

**4** textured surface black ■ **NEW**

**Hand transmitter HSE 1 BS**

1 button function, incl. eyelet for key ring

**5** textured surface black ■ **NEW**



**Hand transmitter HSE 4 BS ■ NEW**

4 key functions, including eyelet for key ring

**6** textured surface black with chrome or plastic caps

**Hand transmitter HSE 2 BS**

2 button functions, including eyelet for key ring

**7** high-gloss surface black or white

**8** high-gloss surface green, purple, yellow, red, orange

**9** decors in silver, carbon, dark rootwood

(Shown from left to right)







**10 Hand transmitter HSD 2-A BS**

Aluminium look,  
2 button functions,  
can also be used as a key ring

**11 Hand transmitter HSD 2-C BS**

High-gloss chrome,  
2 button functions,  
can also be used as a key ring



**12 Hand transmitter HSP 4 BS**

4 button functions,  
with button lock-out,  
including key ring



**13 Hand transmitter HSZ 1 BS**

1 button function,  
for insertion in vehicle  
cigarette lighter

**14 Hand transmitter HSZ 2 BS**

2 button functions,  
for insertion in vehicle  
cigarette lighter



**15 Hand transmitter holder including visor clip**

For wall fitting or fastening to the sun visor of your car, transparent, available in 2 versions for: HS 5 BS, HS 4 BS, HS 1 BS and HSE 2 BS, HSE 1 BS

# BiSecur

The modern radio system for garage door and entrance gate operators

**Interference-resistant**

Interference-resistant radio signal with a stable range

**128-bit encryption**

Benefit from the same high security level as in online banking.

**Impact-resistant**

The hand transmitter is very sturdy thanks to a permanently installed antenna.

**Backwards compatible**

The new BiSecur control elements are suitable for the operation of all Hörmann operators with a radio frequency of 868 MHz (year of manufacture 2003 – 06/2012) / (querying the door position is not possible).

**Simple code transmission**

Your individual hand transmitter coding can be easily transmitted to another hand transmitter.



Easy transmission of the radio code to other hand transmitters



**Radio code switch  
FCT 3 BS**  
For 3 functions,  
with illuminated buttons



**Code switch  
CTR 1d / CTR 3d**  
For 1 or 3 functions,  
with hinged protective cover



**Radio code switch  
FCT 10 BS**  
For 10 functions,  
with illuminated buttons  
and protective cover



**Code switch  
CTR 1b / CTR 3b**  
For 1 or 3 functions,  
with illuminated buttons  
and weather-resistant  
membrane keypad



**Code switch  
CTV 1 / CTV 3**  
For 1 or 3 functions,  
particularly robust,  
protected against vandalism



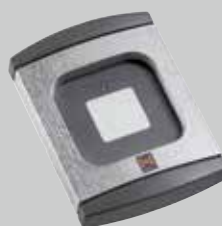
**Radio finger-scan  
FFL 12 BS**  
For 2 functions  
and up to 12 fingerprints



**Finger-scan  
FL 12 / FL 100**  
For 2 functions  
Opening of the door  
via fingerprint, for 12  
or 100 savable fingerprints



**Radio internal push button  
FIT 2 BS**  
For 2 functions  
or 2 operators



**Transponder key switch  
TTR 100 / TTR 1000**  
For 1 function,  
with 2 keys  
(more on request) for 12,  
100 or 1000 keys



**Internal push button IT 1**  
Impulse button to open or close the door (for ProMatic, SupraMatic and ProMatic Akku)



**Internal push button IT 1b**  
Large, illuminated button for opening of the door (for ProMatic and SupraMatic)



**Internal push button IT 3b**  
Large, illuminated button for opening of the door, two buttons for the operator light and to switch off the radio control (for SupraMatic)



**Internal push button PB 3**  
Illuminated impulse button for opening and closing of the door, button for garage light and button to switch off the radio system (for SupraMatic)



**Key switch STUP 40 / STAP 40**  
In a recessed and surface-mounted version, including 3 keys



**Key switch ESU 40 / ESA 40**  
In a recessed and surface-mounted version, including 3 keys



### Key switch post STS 1

The key switch post STS is available with one or two adapters for command units (must be ordered separately). This way, transponder key switches, code switches, finger-scans or key switches can be fitted. The post is White aluminium (RAL 9006), the cover and base are Slate grey (RAL 7015). Protected for outdoor use in accordance with IP 44.

Height: 1250 mm; diameter foot: 300 mm



Key switch post with optional key switch STUP 40

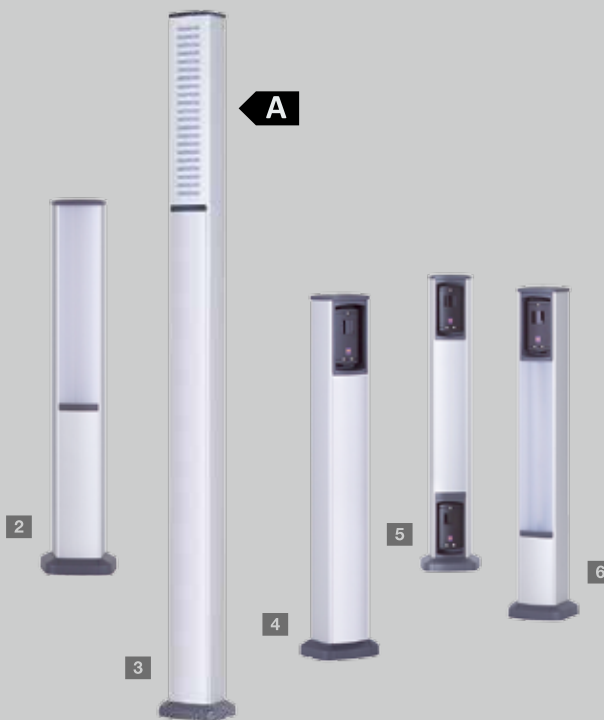




## LED lighting for doors

An LED light strip **1** with neutral white light puts your door and side door in the right light. The plug-in system can be shortened individually, making it a perfect fit for any door width. You can arrange the LED light strip at the lintel (figure on the left) or bottom edge of the door leaf.

LED distance: 125 mm  
Energy efficiency class A



## Light and security accessories

Hörmann key switch post sets made out of weather-resistant, anodised aluminium offer you more light and security. The posts can be individually equipped using variable inserts for photocells and LED light modules.

### Light key switch post

**2 SLS-K**  
With LED light module  
Height 550 mm

**3 SLS-L**  
With LED light module and design screen  
Height: 1080 mm

Energy efficiency class A

### Safety key switch post STL

**4** Basic version with support box for a photocell with height of 550 mm

**5** Two optional photocells

**6** an optional photocell and LED light module



### LED light modules

You can choose between warm **7** and neutral **8** white light for light modules. The optional aluminium design screen creates a special accent. **9**.

## For more comfort in your home

Our perfectly matched products provide you with comprehensive solutions that make your life easier and more convenient.

For example, our elegant radio internal push buttons and hand transmitters control your garage and entrance gate operators as well as Hörmann radio electric socket with various electrical devices such as lights, household appliances etc. Simply use the elegant radio internal push button and hand transmitter.

Are your internal doors equipped with Hörmann PortaMatic operators? Then you can use those accessories to conveniently open and close your doors.



Door Operator PortaMatic



For additional information, consult the Door Operator PortaMatic brochure.



**Recessed radio transmitter**

For two functions, for recessed buttons, central installation in the house within sight of the garage door



**HSU 2 BS:** for switch boxes with 55 mm Ø with connection to the house mains supply

**FUS 2 BS:** for switch boxes with 55 mm Ø including 1.5 V battery



**Radio internal push button**

**FIT 1 BS**

1 button function with large button for simple operation



**Radio internal push button**

**FIT 4 BS**

4 button functions



**Radio internal push button**

**FIT 5 BS**

4 button functions plus query button



**Radio receiver electric socket**

**FES 1 BS**

For switching lights as other devices on and off up to 2500 watt

**FES 1-1 BS**

For controlling (impulse) operators of other makes and switching lights and other devices on and off up to 2500 watt

## Make your home SMART

The BiSecur SmartHome radio system offers modern comfort – completely independent of time or place. All you need for this are the Hörmann Gateway and the free BiSecur app. With that, you can control your garage door or entrance gate conveniently from anywhere around the globe, operate your lamps or other devices with Hörmann channel socket receivers while being out of the house or query the position of your gates or the locking state of your entrance door while on the go – easily, conveniently and securely via your smartphone or tablet.

\* To use this function it is required that your Hörmann entrance door ThermoCarbon / ThermoSafe is equipped with the automatic lock S5 / S7 Smart.



BiSecur SmartHome



For additional information, see the BiSecur SmartHome brochure.





### BiSecur Gateway

A central control unit for your operators and radio receivers, for up to 10 users, up to 16 functions per user.



### BiSecur app

Free download from the App Store or via Google Play



### Radio receiver ESE

For a choice of direction "Open – Stop – Close" directions on different buttons of a control element, for SupraMatic operator\*



### Receiver HER 1

Receiver (1, 2 or 4 channels) to operate an additional external light or a garage door (of other make) using Hörmann radio accessories

\* SupraMatic from year of manufacture 2014 onwards, serial version CI





### **1 Emergency battery HNA for garage door operators**

With this emergency power, you can bypass network power failures for up to 18 hours and max. 5 door cycles. The emergency battery recharges itself during normal operation. Emergency batteries can be added to all current Hörmann garage door operators.



### **2 Emergency battery HNA Outdoor for entrance gate operators**

The RotaMatic and VersaMatic hinged door operators, and LineaMatic sliding door operator can also be equipped with an emergency power supply to bridge power failures. They can be universally fitted to the wall or floor.

### **Additional emergency release**

For garages without a second entrance, we offer you the following options to open your door from the outside in case of emergency (e.g. power failure):



### **3 Sectional door without handle**

You can choose between the emergency release lock with round cylinder (cannot be integrated in the home locking system) and the emergency release handle in 8 versions including lock (can be integrated in the home locking system).



### **4 Hinged or sectional door with handle**

Emergency release (not shown)



### **5 Photocell**

Hörmann's reliable one-way photocell systems immediately stop the door if the light beam is interrupted. They can be directly fitted to the door or integrated in STL key switch posts.



## Garage door operators SupraMatic, ProMatic

		 BiSecur SupraMatic E	 BiSecur SupraMatic P	 BiSecur ProMatic	ProMatic Akku
<b>Door cycles (open / close)</b>	Per day / hour	25 / 10	50 / 10	12 / 5	5 / 2
<b>Suitable for:</b>	Doors with wicket doors/timber doors	- / ●	●* / ●	- / ●**	- / -
	Max. door width	5500 mm	6000 mm***	5000 mm	3000 mm
	Max. door leaf surface	13.75 m <sup>2</sup>	15.00 m <sup>2</sup>	11.25 m <sup>2</sup>	8 m <sup>2</sup>
<b>Operator data</b>	24 V DC gear drive	●	●	●	●
	Mains voltage	230 V – 240 V AC			See the technical manual
	Power input	0.2 kW	0.2 kW	0.2 kW	
	Pull and push force	650 N	750 N	600 N	350 N
	Peak force	800 N	1000 N	750 N	400 N
	Opening speed	Approx. 22 cm/s	Approx. 22 cm/s	Approx. 14 cm/s	Approx. 13 cm/s
	Standby	< 1 watt	< 1 watt	< 7 watt	< 0.1 watt
	Housing	Aluminium and plastic, galvanized steel base plate		Plastic, galvanized steel base plate	
	Temperature range	-20 °C to +60 °C			-15 °C to +45 °C
	Protection category	Only suitable for dry rooms			
	<b>Control electronics</b>	Impulse control	●	●	●
Power limit		●	●	●	●
Adjustable soft start and soft stop		●	●	●	●
Display		Double 7-segment display		LED	LED
Adjustable operator light and partial opening		●	●	- / ●	-
Adjustable automatic timer		●	●	●	-
Hold-open phase after activation		30 – 180 s	30 – 180 s	30 s	-
<b>Equipment</b>	Hand transmitter (868 MHz)	5-button hand transmitter HS 5 BS and 4-button hand transmitter HSE 4 BS (black textured surface)		Two, 4-button hand transmitters HSE 4 BS (black textured surface with plastic caps)	
	Integrated receiver (868 MHz)	Bi-directional 3-channel receiver BS		Bi-directional 2-channel receiver BS	Receiver fixed code
	Inquiry of the door position	●	●	○	-
	Control buttons	on the operator cover		in the operator cover	
	Photocell	-	● / EL 101	-	-
	High-speed opening	●	●	-	-
	Quick release operated from inside	●	●	●	●
	Connecting lead with Euro plug	●	●	●	-
	Adjustable, integrated garage door lighting / preset	● / 60 s	● / 60 s	● / 120 s	● / 30 s
	Anti-lift kit for break-in resistance	●	●	●	●
	Universal installation bracket for up-and-over doors and sectional doors!	●	●	●	●

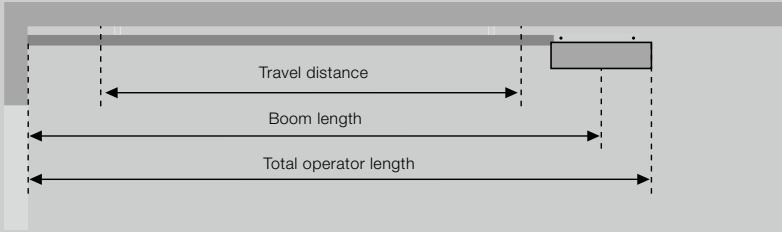
\* A photocell is required for doors with wicket doors.

\*\* Timber doors with max. 3.5 m door width and 9 m<sup>2</sup> door leaf surface

\*\*\* > 5500 mm only in conjunction with an FS 60 operator boom and fitting bracket

● = Standard

○ = Optional with hand transmitter HS 5 BS

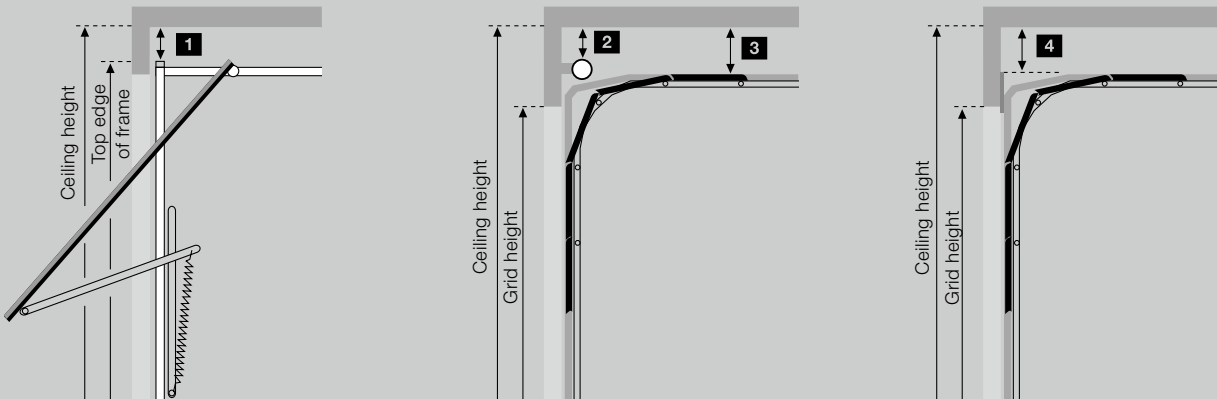


Type of boom	Overall length	Boom length	Travel distance
<b>K</b> Short boom	3200	2975	2475
<b>M</b> Medium boom	3450	3225	2725
<b>L</b> Long boom	4125	3900	3400

#### Boom applications for Hörmann garage doors

	Height
<b>K</b> Up-and-over garage doors Sectional garage doors with track application N Sectional garage doors with track application Z, L, H	Up to 2500 Up to 2250 Up to 2125
<b>M</b> Up-and-over garage doors Sectional garage doors with track application N Sectional garage doors with track application Z, L, H	Up to 2750 Up to 2500 Up to 2375
<b>L</b> Sectional garage doors with track application N, Z, L, H	Up to 3000

Note the travel distance for doors from other manufacturers!






#### Required space

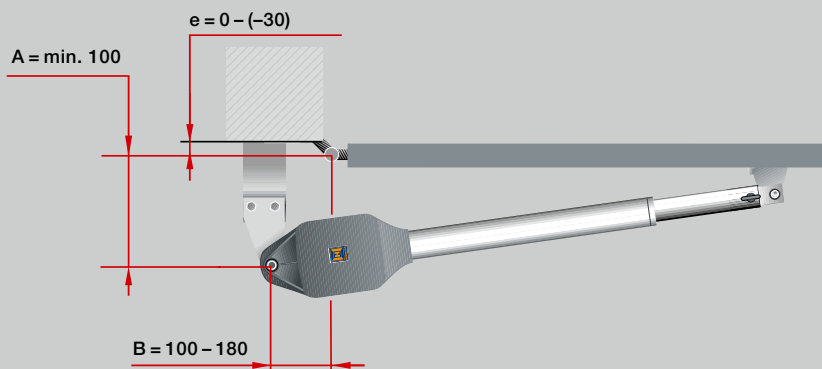
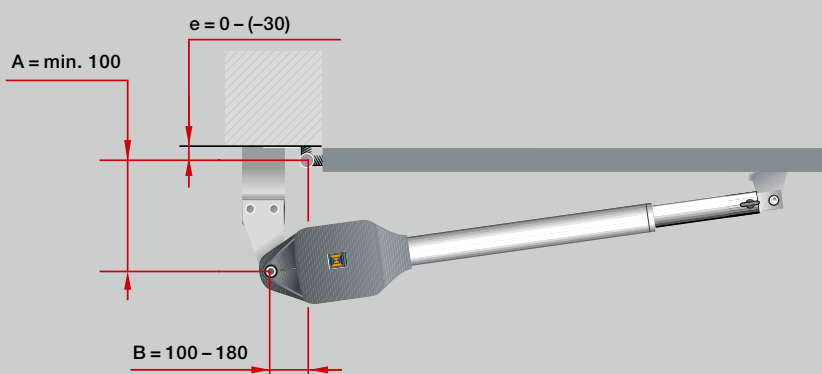
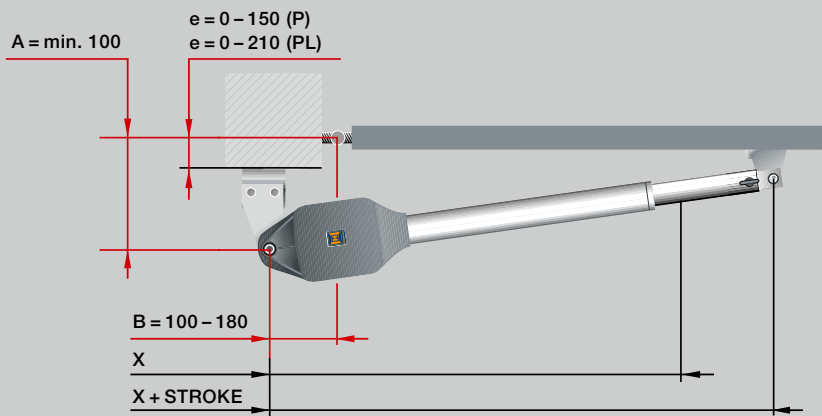
<b>1</b> Up-and-over garage doors		<b>2</b> Garage sectional doors with torsion spring assembly		<b>4</b> Garage sectional doors with tension spring assembly	
N 80	0	With track application N; ceiling height = grid height + 210	0	With track application Z; ceiling height = grid height + 115	15
N 80, design 905, design 941 or with timber infill	15	With track application H	0		
DF 98, DF 95, DF 80	65				
		<b>3</b> Garage sectional doors with torsion spring assembly		Doors from other manufacturers	
		with track application L ceiling height = grid height+ 115	15	Between the highest point of door travel and the ceiling	30

All dimensions are minimum dimensions.  
Dimensions in mm

Hinged door operators RotaMatic

		 <b>BiSecur</b> RotaMatic	 <b>BiSecur</b> RotaMatic P	 <b>BiSecur</b> RotaMatic PL	<b>RotaMatic Akku</b>	
<b>Door cycles (open / close)</b>	Per day / hour	20 / 5	40 / 10	40 / 10	5 / 2	
<b>Suitable for:</b>	Max. door height	2000 mm	2000 mm	2000 mm	3000 mm	
	Max. door leaf width	1000 – 2500 mm	1000 – 2500 mm	1500 – 4000 mm	1000 – 2500 mm	
	Max. door leaf weight	220 kg	400 kg	400 kg	120 kg	
<b>Operator data</b>	Motor	24 V DC gear drive				
	Mains voltage	230 V – 240 V AC, 50 Hz			See the technical manual	
	Pull and push force	2000 N	2500 N	2500 N	1000 N	
	Peak force	2200 N	2700 N	2700 N	1100 N	
	Standby	< 7 watt	< 7 watt	< 7 watt	< 0.1 watt	
	Housing	Aluminium / weather-resistant plastic	Aluminium / die-cast zinc / weather-resistant plastic	Aluminium / die-cast zinc / weather-resistant plastic	Aluminium / weather-resistant plastic	
	Temperature range	–20 °C to +60 °C			–15 °C to +45 °C	
	Protection category	IP 44	IP 44	IP 44	IP 44	
	<b>Control electronics</b>	Protection category (separate control housing)	IP 65	IP 65	IP 65	IP 65
		Impulse control	●	●	●	●
Power limit		●	●	●	●	
Soft start and soft stop		●	●	●	●	
Adjustable automatic timer		●	●	●	●	
Number of connectable safety devices		2	2	2	1	
<b>End-of-travel position</b>	Closed	Can be set with an integrated limit switch or end stop.				
	Open	Programmable (i.e. no end stop required!)				
<b>Equipment</b>	Hand transmitter (868 MHz)	5-button hand transmitter HS 5 BS (black textured surface)			4-button hand transmitter HSE 4 BS (black textured surface with plastic caps)	
	Receiver (868 MHz)	Bi-directional 5-channel receiver ESE BS			Fixed code receiver for the impulse and partial opening functions	
	Inquiry of the door position	●			–	
	<b>Electrical connection</b>	Electric connecting lead	230 V, NYY 3 × 1.5 mm <sup>2</sup> (on-site)			
Motor cable		Connecting lead up to 10 m NYY 5 × 1.5 mm <sup>2</sup> (on-site)				
Additional connection cable		All leads underground NYY, z.B. 5 × 1.5 mm <sup>2</sup>				
Electric lock connection lead		NYY 3 × 1.5 mm <sup>2</sup> (on-site) underground H07RN-F 2 × 1 mm <sup>2</sup> on the door leaf				

Lay all cables separately!



## RotaMatic

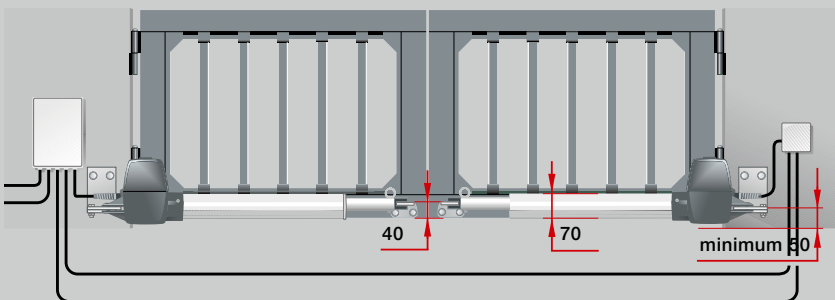
Dimensions	x	x + Hub
RotaMatic / RotaMatic P	720	1120
RotaMatic PL	820	1320

e = distance between door pivot and mounting plate



### For Hörmann partners

With the planning program for hinged gate operators, Hörmann supports you in planning and fitting your hinged gate operator. You can find the programme in the Hörmann dealer forum as a free download.





All dimensions are minimum dimensions.  
Dimensions in mm

### Please note:

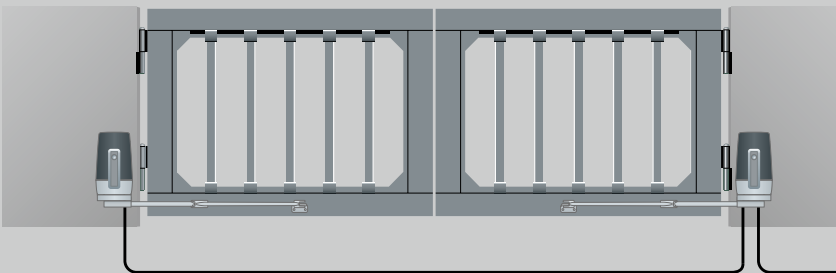
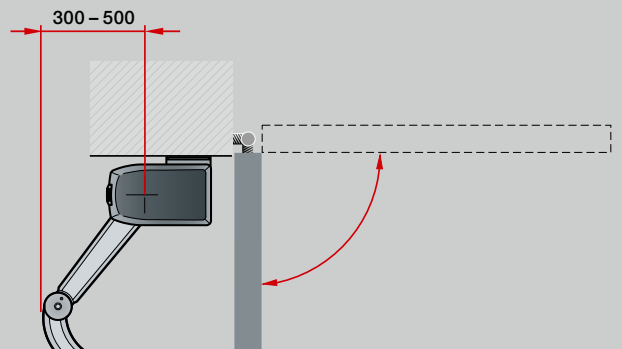
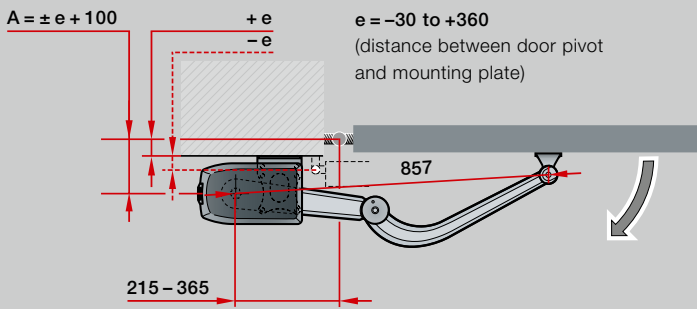
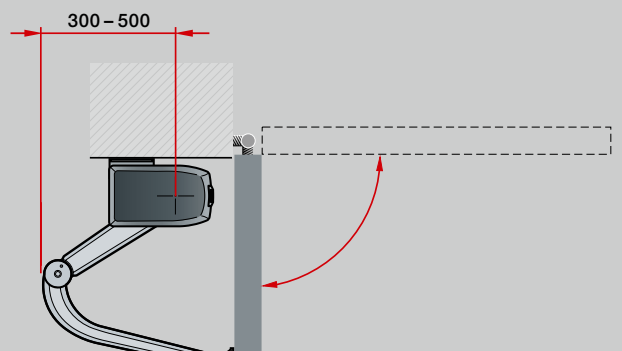
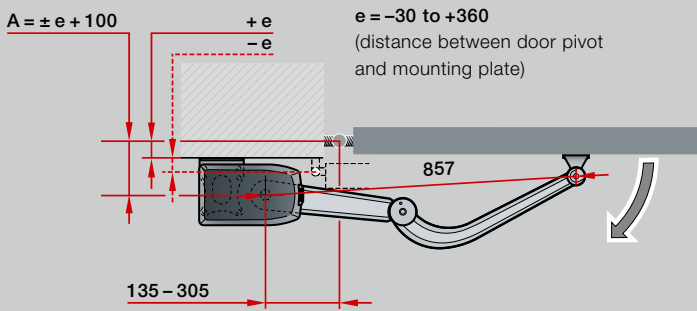
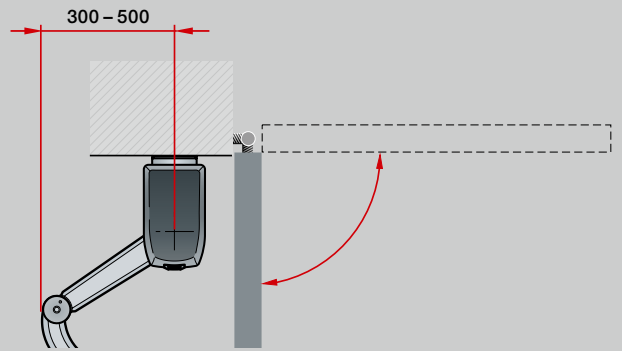
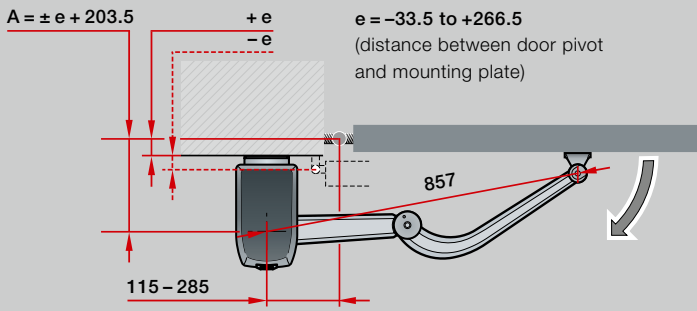
To ensure optimum door travel, the maximum difference between the A dimension and the B dimension must be 40 mm. All illustrations and information with standard tracks. Additional equipment features possible.

Hinged door operators VersaMatic

		 <b>BiSecur</b>	 <b>BiSecur</b>	
		<b>VersaMatic</b>	<b>VersaMatic P</b>	<b>VersaMatic Akku</b>
<b>Door cycles (open / close)</b>	Per day / hour	20 / 5	40 / 10	5 / 2
<b>Suitable for:</b>	Max. door height	2000 mm	2000 mm	2000 mm
	Max. door leaf width	1000 – 2000 mm	1000 – 3000 mm	1000 – 2000 mm
	Max. door leaf weight	200 kg	300 kg	120 kg
<b>Operator data</b>	Motor	24 V DC gear drive		
	Mains voltage	230 V – 240 V AC, 50 Hz		
	Nominal torque	50 Nm	60 Nm	50 Nm
	Maximum torque	250 Nm	300 Nm	250 Nm
	Maximum idle rotation speed	ca. 2.6 rotations/min	ca. 2.7 rotations/min	ca. 2.6 rotations/min
	Standby	< 1 watt	< 1 watt	< 0.4 watts
	Housing	Aluminium / die-cast zinc/ weather-resistant, fiberglass reinforced plastic		
	Temperature range	–20 °C to +60 °C		–15 °C to +45 °C
	Protection category	IP 44	IP 44	IP 44
	Protection category (separate control housing)	IP 65	IP 65	IP 65
<b>Control electronics</b>	Impulse control	●	●	●
	Power limit	●	●	●
	Soft start and soft stop	●	●	●
	Adjustable automatic timer	●	●	●
	Number of connectable safety devices	3	3	1
	<b>End-of-travel position</b>	Closed	Adjustable via integrated end stop or on-site end stop	
Open		Adjustable through integrated end stop or programmable (i.e. no on-site end stop required!)		
<b>Equipment</b>	Hand transmitter (868 MHz)	HS 5 BS (textured surface black)		
	Receiver (868 MHz)	Bi-directional 5-channel receiver ESE BS		
	Inquiry of the door position	●		
<b>Electrical connection</b>	Electric connecting lead	230 V, NYY 3 × 1.5 mm <sup>2</sup> (on-site), max. length 30 m		
	Motor cable	NYY 5 × 1.5 mm <sup>2</sup> (on-site)		
	Additional connection cable	All leads underground NYY, z.B. 5 × 1.5 mm <sup>2</sup> (on-site, maximum length 30 m)		
	Electric lock connection lead	NYY 3 × 1.5 mm <sup>2</sup> (on-site, maximum length 30 m) underground H07RN-F 2 × 1 mm <sup>2</sup> on the door leaf		

Lay all cables separately!





All dimensions are minimum dimensions.  
Dimensions in mm

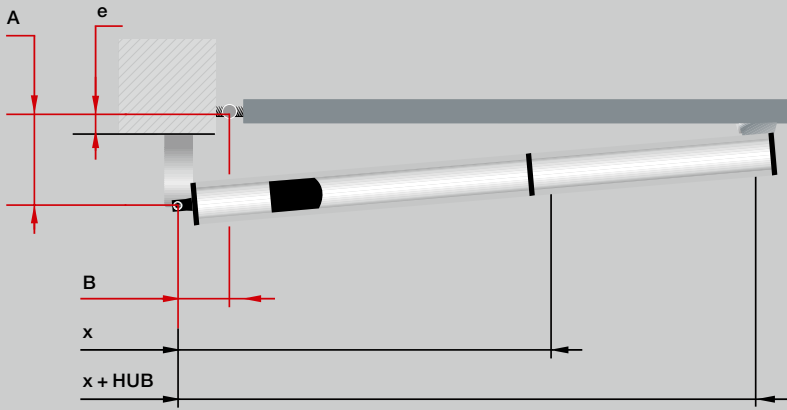
**Please note:**

All illustrations and information with standard tracks. Additional equipment features possible.

Hinged door operators DTH 700, DTU 250

		DTH 700	DTU 250
<b>Door cycles (open / close)</b>	Per day / hour	40 / 10	40 / 10
<b>Suitable for:</b>	Up to max. door height	2500 mm	2500 mm
	Max. door leaf width	7000 mm	2500 mm
	Up to max. door leaf weight	1000 kg	500 kg
<b>Max. opening angle</b>	Standard	–	110°
	Including specialised assembly set	–	140°
<b>Additional information</b>		An electric lock and end stops are required!	An electric lock is required for doors with partial infill!
<b>Operator data</b>	Motor	Electro-hydraulic	Electro-mechanical
	Mains voltage	230 V – 240 V AC, 50 Hz	
	Pull and push force	3000 N	2500 N
	Peak force	3500 N	3000 N
	Standby	< 10 watts	< 10 watts
	Housing	Weather-resistant aluminium housing	Weather-resistant steel trough with stainless steel cover plate
	Temperature range	–20 °C to +60 °C	–20 °C to +60 °C
	Protection category	IP 55	IP 67
	Protection category (separate control housing)	IP 55	IP 67
<b>Control electronics</b>	Display	● / two 7-segment displays	● / two 7-segment displays
	Power limit (adjustable)	●	●
	Soft stop (adjustable)	●	●
	Adjustable automatic timer	●	●
	<b>Equipment</b>	Hand transmitter (868 MHz)	Without remote control
Receiver (868 MHz)			
<b>Electrical connection</b>	Electric connecting lead	230 V, NYY 3 × 1.5 mm <sup>2</sup> (on-site)	
	Motor cable	230 V, NYY 3 × 1.5 mm <sup>2</sup> (on-site)	
	Additional connection cable	All leads underground NYY, z.B. 5 × 1.5 mm <sup>2</sup>	
	Electric lock connection lead	NYY 3 × 1.5 mm <sup>2</sup> (on-site) underground H07RN-F 2 × 1 mm <sup>2</sup> on the door leaf	

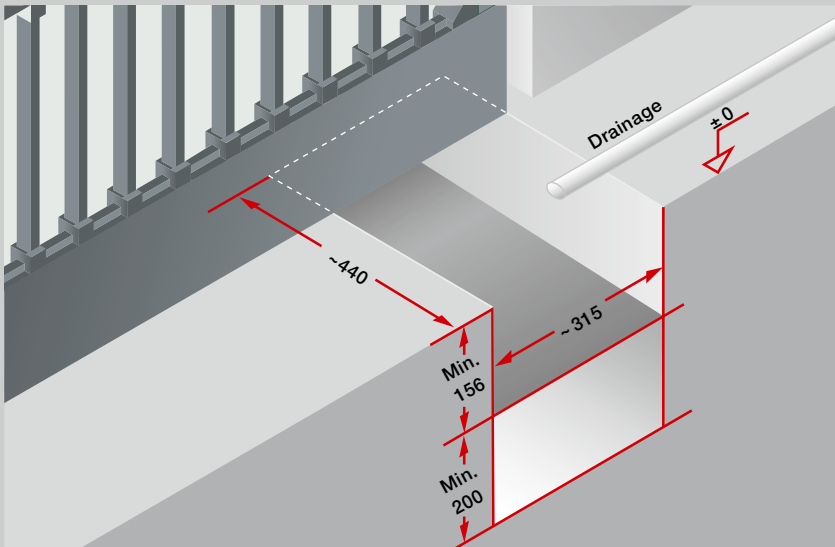
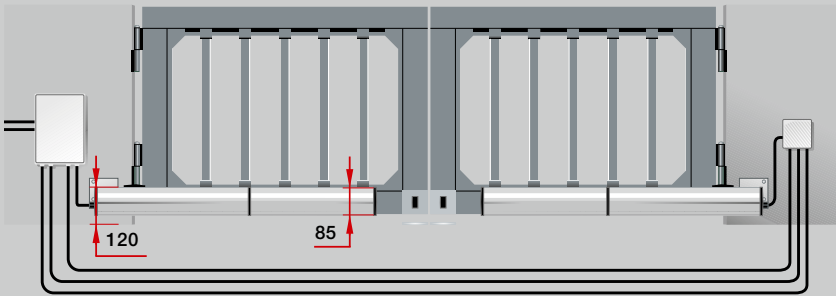
Lay all cables separately!



## DTH 700

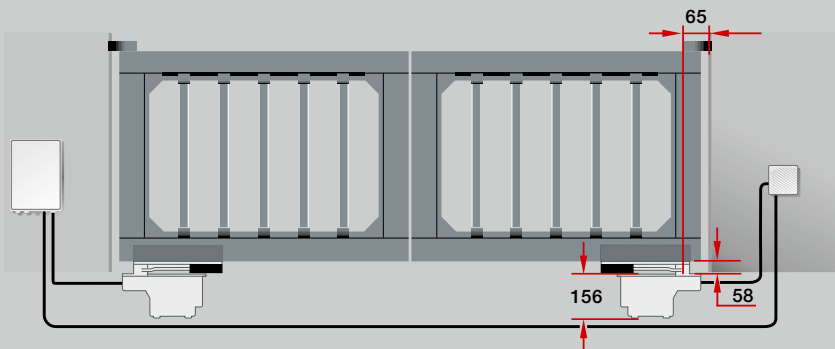
Opening angle	A	B	e*
90°	130	130	80
115°	100	130	50
125°	90	120	40
<b>Dimensions</b>	x	x + Hub	
	700	960	

e = distance between door pivot and mounting plate



## DTU 250



**Foundation dimensions**  
Approx. 315 × 440 × 200



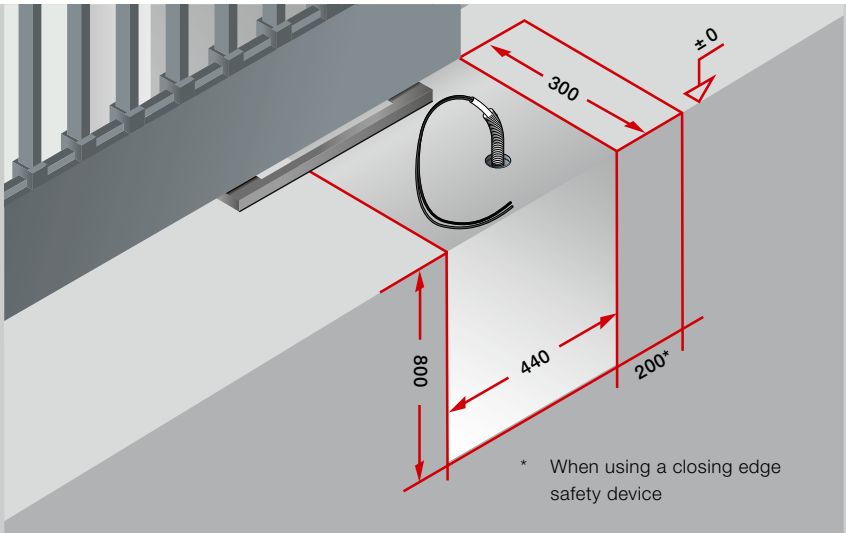
All dimensions are minimum dimensions.  
Dimensions in mm

**Please note:**  
In order to comply with the requirements of DIN EN 13241, we recommend using a closing edge safety device.

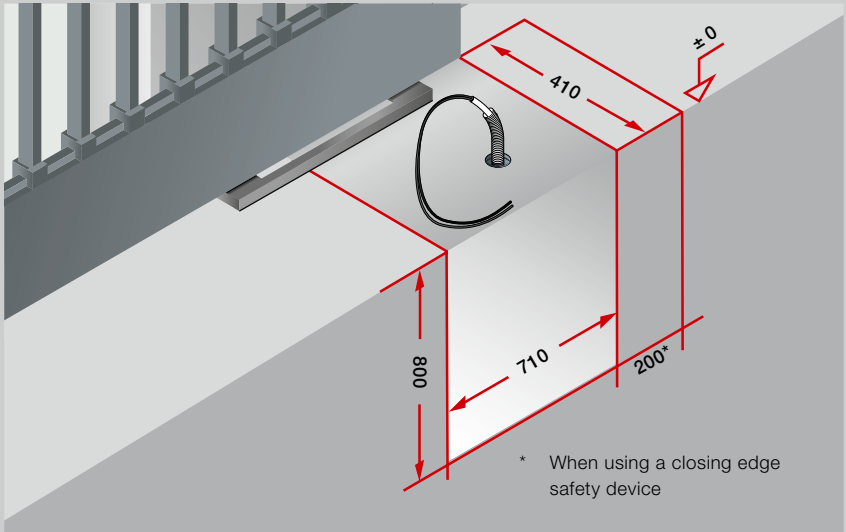
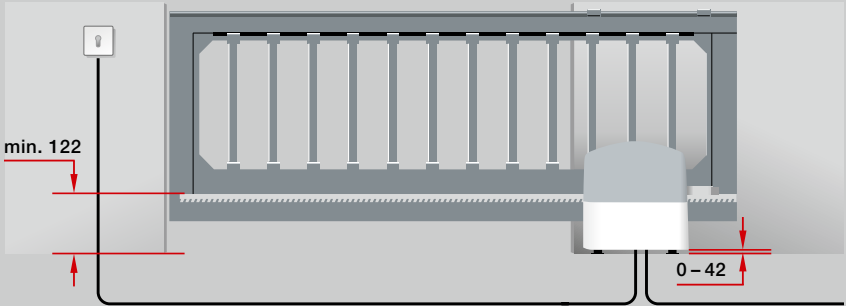
Sliding door operators LineaMatic, STA 400

		 BiSecur LineaMatic	 BiSecur LineaMatic P	LineaMatic H	STA 400
<b>Door cycles (open / close)</b>	Per day / hour	20 / 5	40 / 10	40 / 10	100 / 20
<b>Suitable for:</b>	Max. door height	2000 mm	2000 mm	2000 mm	3000 mm
	Max. door width	1300 – 6000 mm	1300 – 8000 mm	1300 – 10000 mm	1000 – 17000 mm
	Max. door weight				
	For bottom-guided doors	300 kg	500 kg	800 kg	2500 kg
	For self-supporting doors	250 kg	400 kg	600 kg	1800 kg
<b>Operator data</b>	Motor	24 V DC gear drive			1-phase current gear drive
	Mains voltage	230 V – 240 V AC, 50 Hz			
	Pull and push force	650 N	1000 N	1200 N	2000 N
	Peak force	800 N	1200 N	1400 N	2300 N
	Standby	< 7 watt	< 7 watt	< 7 watt	< 7 watt
	Housing	Zinc die-cast / weather-resistant plastic			Weather-resistant plastic
	Temperature range	–20 °C to +60 °C			
	Protection category	IP 44	IP 44	IP 44	IP 65
<b>Control electronics</b>	Control integrated in the housing	●	●	●	●
	Adjustable power limit	●	●	●	●
	Adjustable soft start and soft stop	●	●	●	●
	Magnetic limit switch	●	●	●	●
	Electronic door position sensor				●
	Integrated automatic timer	●	●	●	●
	Passage of pedestrians programmable	●	●	●	●
	Number of connectable safety devices	3	3	3	3
<b>Equipment</b>	Hand transmitter (868 MHz)	HS 5 BS (textured surface black)			
	Receiver (868 MHz)	Bi-directional 5-channel receiver ESE BS		Without remote control	
	Inquiry of the door position	●		–	–
	Photocell (only for version SK)	One-way photocell EL 301			–
	Warning light (only for version SK)	LED warning light SLK, yellow For floor and wall fitting			–
<b>Electrical connection</b>	Electric connecting lead	230 V, NYY 3 × 1.5 mm <sup>2</sup> (on-site)			
	Additional connection cable	All leads underground NYY, z.B. 5 × 1.5 mm <sup>2</sup>			
	Foundation dimensions	Min. 440 × 300 × 800 mm (frost resistant)			710 × 410 × 800 mm (frost resistant)
	Connecting lead	See the figure for position of tube			

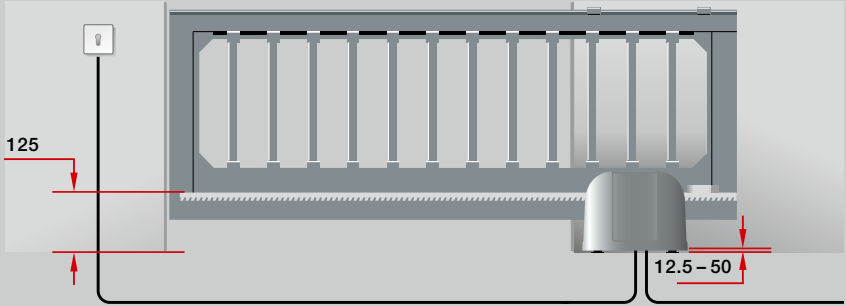
Lay all cables separately!



LineaMatic



STA 400



All dimensions are minimum dimensions.  
Dimensions in mm

**Please note:**  
In order to comply with the requirements of DIN EN 13241, we recommend using a closing edge safety device.



# Experience Hörmann quality in new construction and modernisation

Hörmann provides an excellent basis for comprehensive planning. Carefully matched solutions offer you the very best in perfectly designed products for every area.

- **Garage doors**

Optimally match your personal architectural style: up-and-over or sectional doors made of steel, grp or timber.

- **Door operators**

Enjoy extra convenience and break-in-resistant security with Hörmann operators for garage doors and entrance gates. You can profit from the convenience of Hörmann door operators in your residential space as well.

- **Entrance doors**

Our comprehensive entrance door ranges include models that fit almost every need and requirement.

- **Steel doors**

Sturdy doors for your entire home, from basement to roof.

- **Frames**

Choose from our comprehensive range of products for new construction, expansion and modernisation.



Garage doors and entrance gate operators



ThermoPro entrance door



Steel doors

# Hörmann: Quality without Compromise



Hörmann KG Amshausen, Germany



Hörmann KG Antriebstechnik, Germany



Hörmann KG Brandis, Germany



Hörmann KG Brockhagen, Germany



Hörmann KG Dissen, Germany



Hörmann KG Eckelhausen, Germany



Hörmann KG Freisen, Germany



Hörmann KG Ichttershausen, Germany



Hörmann KG Werne, Germany



Hörmann Genk NV, Belgium



Hörmann Alkmaar B.V., Netherlands



Hörmann Legnica Sp. z o.o., Poland



Hörmann Beijing, China



Hörmann Tianjin, China



Hörmann LLC, Montgomery IL, USA



Hörmann Flexon LLC, Burgettstown PA, USA

Hörmann is the only manufacturer worldwide that offers you a complete range of all major building products from one source. We manufacture in highly-specialised factories using the latest production technologies. The close-meshed network of sales and service companies throughout Europe, and activities in the USA and China, make Hörmann your strong partner for first-class building products, offering "Quality without Compromise".

**GARAGE DOORS**  
**OPERATORS**  
**INDUSTRIAL DOORS**  
**LOADING EQUIPMENT**  
**HINGED DOORS**  
**DOOR FRAMES**

**Hörmann (UK) Ltd**, Gee Road, Coalville, Leicestershire LE67 4JW  
Phone (01530) 513000, Fax (01530) 513001

